

COMPACT SIZE LOW VOLTAGE CAPACITOR UNITS

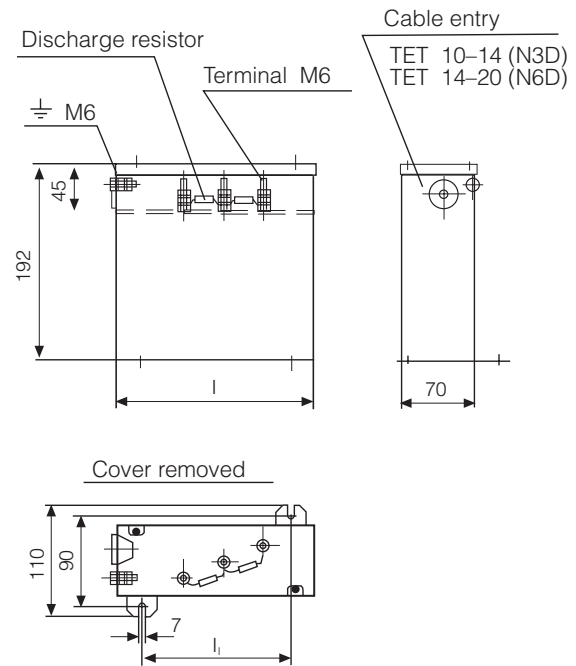
Nokian Capacitors' low voltage power capacitors are manufactured by using the latest methods. Capacitor elements of metallized polypropylene film are self-healing and dry without impregnation liquid. Each capacitor element is individually protected with patented internal protection.

Capacitors have low losses, and are constructed to be compact size and light in weight. The low voltage power capacitors comply with most national and international standards.



TECHNICAL DATA

Type:	N-serie Self-healing Dry type design Patented internally protected elements Steel enclosure
Degree of protection:	IP 42
Insulation level:	3 kV rms/ 15 kV crest
Losses:	≤ 0.5 W/kvar
Continuous overvoltage:	1.1 x U _N
Continuous overcurrent:	1.3 x I _N
Temperature category:	min. -40°C, max +55°C. Highest mean over any period of: - 24 hours +45°C, - 1 year +35°C. Other conditions, contact manufacturer.
Standards:	IEC 60831-1 (1996) IEC 60831-2 (1995)
Colour:	RAL 7032



240 V, 60 Hz, 3 PH STANDARD TYPES FOR INDOOR MOUNTING

TYPE	Q _N kvar	I _N A	TERMINALS	DIMENSIONS AND WEIGHT		
				I mm	I _i mm	kg
N3D	5	12	M6	190	143	2,5
N3D	7,5	18	M6	190	143	2,5
N6D	10	24	M6	377	330	5
N6D	12,5	30	M6	377	330	5
N6D	15	36	M6	377	330	5

480 V, 60 Hz, 3 PH STANDARD TYPES FOR INDOOR MOUNTING

TYPE	Q _N kvar	I _N A	TERMINALS	DIMENSIONS AND WEIGHT		
				I mm	I _i mm	kg
N3D	5	6	M6	190	143	2,5
N3D	7,5	9	M6	190	143	2,5
N3D	10	12	M6	190	143	2,5
N6D	12,5	15	M6	377	330	5
N6D	15	18	M6	377	330	5
N6D	20	24	M6	377	330	5

The capacitors are supplied with external discharge resistors. (Other voltages and frequencies on request). Bigger sizes C-serie units also available (see other leaflet).

In line with our policy of on-going product development we reserve the right to alter specifications.



Nokian Capacitors Ltd.
Kaapelikatu 3, P.O. Box 4
FI-33331 Tampere, Finland
Tel. +358 3 3883 11, fax +358 3 3883 360
www.nokiancapacitors.com